

# LIFTS

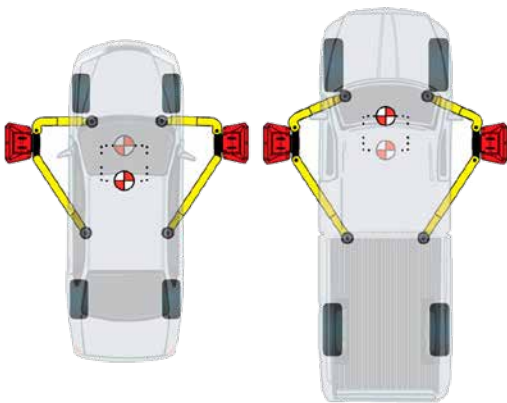


# HYDRAULIC LIFT

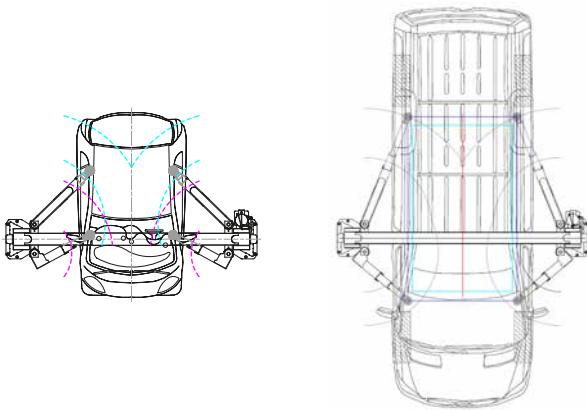
## DUOLIFT® HL 4500 THE INDEPENDENT SHOP LIFT

Covers a big variety of vehicles:  
from the smallest size  
up to medium size vans

### Versymmetric® Technology: The ideal solution



It combines the advantages of an asymmetric and a symmetric lift and improves the ergonomics when placing the arms to lift the car



Thanks to the **Versymmetric® Technology** vehicles with short (i.e. Smart) as well as long wheel base (i.e. mid size vans) can be lifted comfortably

(For information only, please check vehicle manufacturers lifting point guide)

### Power Pack

European made.

It is mounted high thus offering reduced noise performance

### Flexible Installation

The lift is available in 2 versions that can be installed in 2 different heights (low and high):

- STD: switch-off height 3.755 mm or 4.105 mm
- TALL: switch-off height 4.405 mm or 4.755 mm



### Controls

Positioned in an ergonomic place on the primary column with clear indications of each push button





**Shut-off bar**  
prevents cars to be damaged should they touch the upper part of the lift



**Comfort lowering**  
The lift will automatically go up a little bit to release the carriage from the safety lock and will then automatically lower the vehicle

**CE stop**  
instead of mechanical foot protectors to ensure optimum safety

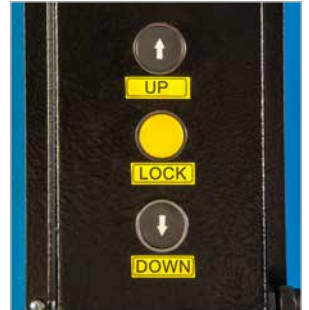
### Safety lock

The lock is active during the complete lifting process, by simply pressing the lock button the carriage can be set into the lock whenever wanted / required



**Remote control box**  
to be mounted on the secondary column (optional)

**PROMO until end 2019**



### Carriage

a rubber protection on the carriage ensures that there are no damages to the car door



### Versymmetric®

### 3 Stage arms

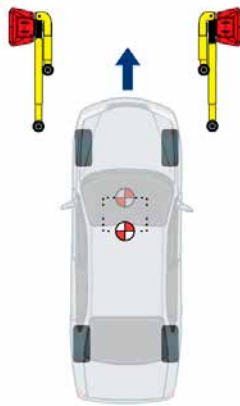
Allows always perfect access to the pick up points of every vehicle



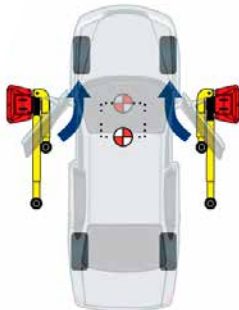
## DUOLIFT® HL 3500 THE CAR DEALERSHIP LIFT

For passenger cars, SUV  
and transporters with standard  
and high roofs (i.e. VW T5 long)

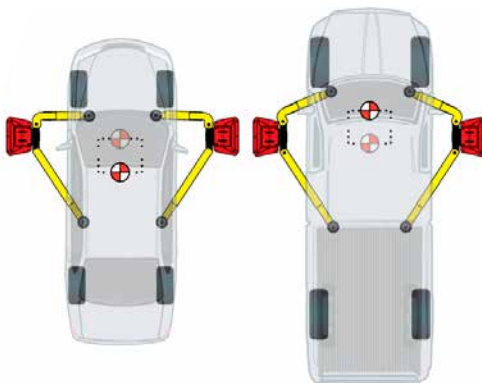
1. Drive to the lift



2. Get out of the car and place  
the arms with no need to  
walk around the column



3. Lift the car, transporter or van



Versymmetric® Technology:

Equipped with a  
European made  
power pack which is  
mounted high thus  
offering reduced noise  
performance

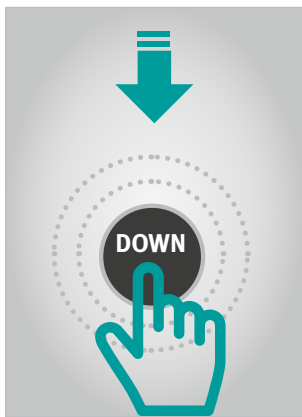


**Controls**  
Positioned in an  
ergonomic place on  
the primary column  
with clear indications  
of each push button



**Shut-off bar**

prevents cars to be damaged should they touch the upper part of the lift



**Comfort lowering**

Vehicle is lowered by simply pushing the lowering button. No need to activate the UP button to release the arms from the lock position

**Optimum safety**

Integrated CE stop makes the mechanical foot protection obsolete

**Safety lock**

Electric safety lock mechanism active during the complete lifting process is automatically released when lowering the lift thanks to the "Comfort Lowering" feature



**Optional**

secondary control box

PROMO until end 2019



**Carriage and arms**

Very rugged design with integrated grease fitting and optimum door clearance when the car is placed on the lift. (Picture shows lift in wide installation)

**3 Stage arms**

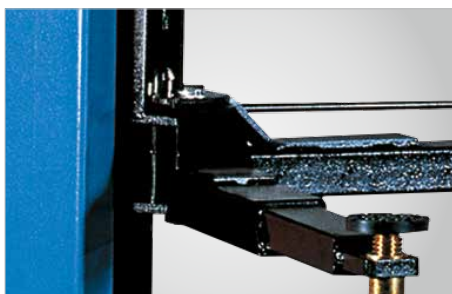
Front and rear 3 stage arms always allow a perfect access to the pick up points of the vehicle



## *ELECTRO-MECHANICAL LIFT*

# *DUOLIFT<sup>®</sup> MTF 3000 ELECTRO-MECHANICAL TWO POST LIFT*

Asymmetric design of arms for an easier access to the vehicle



### **Automatic lubrication system**

Lifting nuts made of wear-proof material (Nylatron<sup>®</sup>) and automatic lubrication of lifting screws and safety nuts

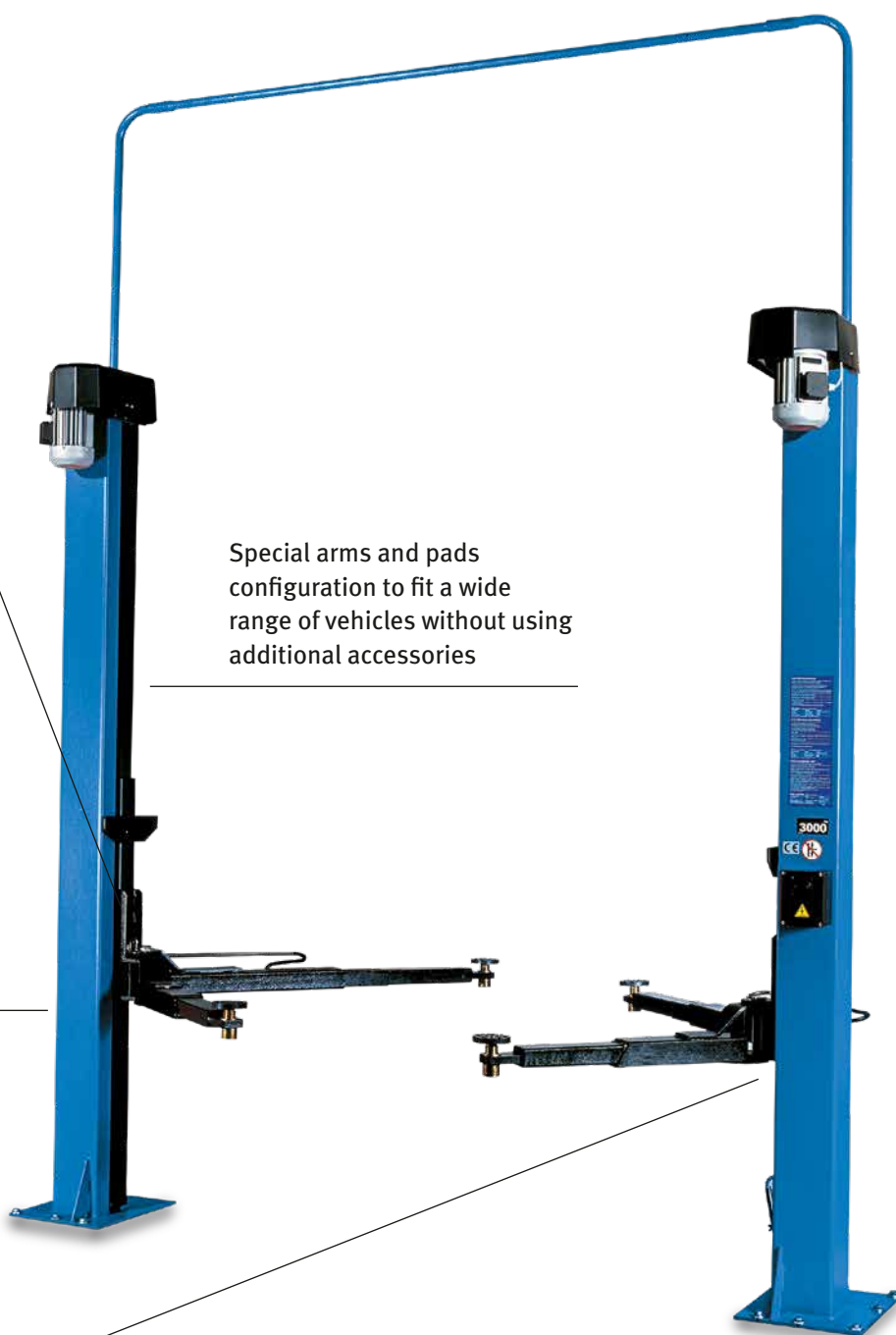


### **Carriage and arms**

Easy accommodation of low-bed cars due to 98 mm minimum pick-up height



Automatic locking of arms



Special arms and pads configuration to fit a wide range of vehicles without using additional accessories

# ***DUOLIFT® MSE 5500 TWO-POST LIFT FOR VANS AND LIGHT TRUCKS***

**Lift without base frame designed for cars,  
vans and light trucks of a gross vehicle  
weight of up to 5.500 kg**

The crossbeam is vertically adjustable to  
suit customer requirements



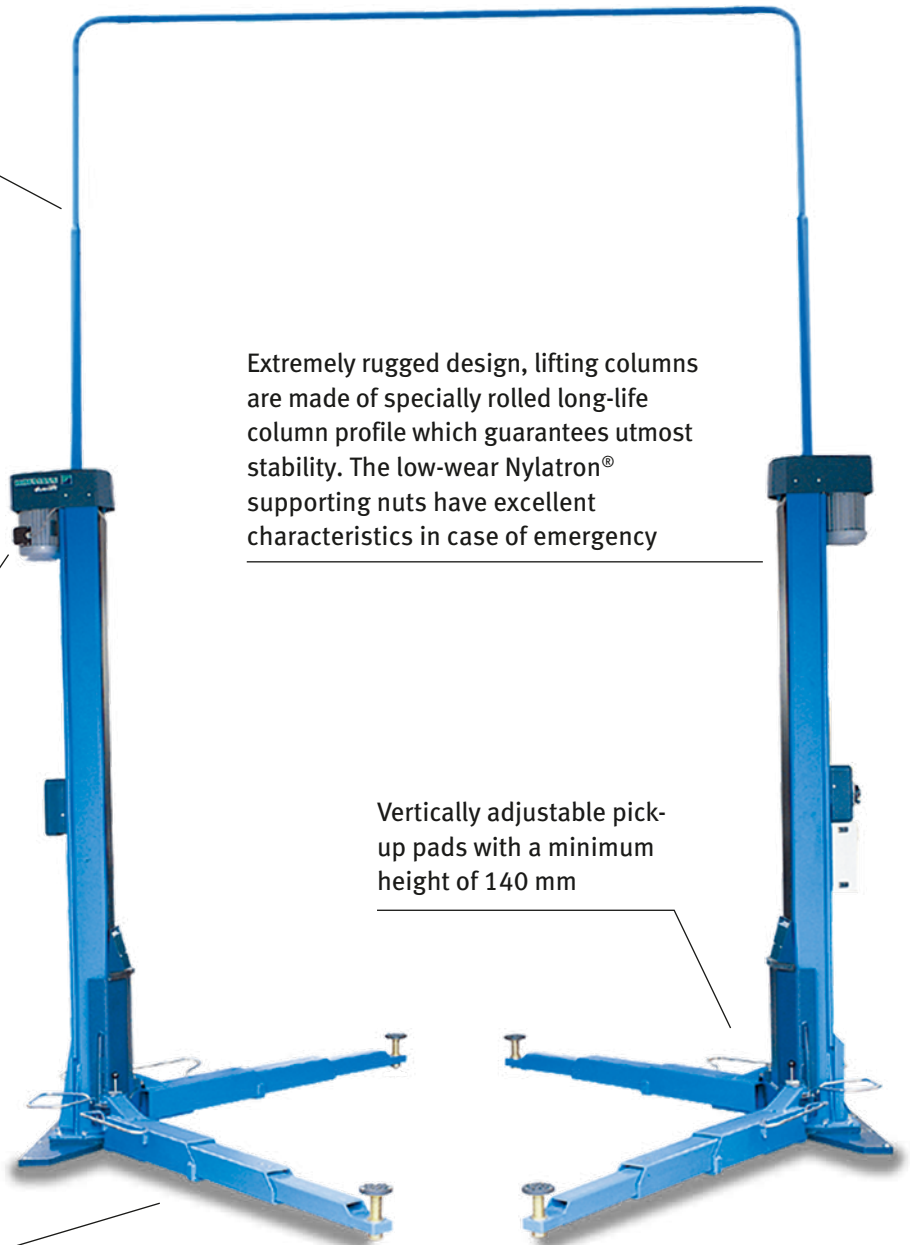
Drive is by means of  
two synchronised  
electric motors

Extremely rugged design, lifting columns  
are made of specially rolled long-life  
column profile which guarantees utmost  
stability. The low-wear Nylatron®  
supporting nuts have excellent  
characteristics in case of emergency



Three-stage symmetric lifting arms with  
large swing range to pick up a wide  
range of vehicles, from small and large  
passenger cars up to vans and SUVs up  
to a maximum load of 5.500 kg

Vertically adjustable pick-  
up pads with a minimum  
height of 140 mm





TECHNICAL SPECIFICATIONS	HYDRAULIC LIFT				ELECTRO-MECHANICAL LIFT	
	HL 4500		HL 3500		MTF 3000	MSE 5500
Version	Standard	Tall	Standard	Tall		
Lifting capacity	4.500 kg		3.500 kg		3.000 kg	5.500 kg
Lifting/ lowering times	30 / 30 sec		30 / 30 sec		45 sec	approx. 40 sec
Lifting height	1.965 mm		1.965 mm		1.890 mm	2.040 mm
Lowest pick up point	95 - 140 mm		95 - 140 mm		98-140 mm	140 - 220 mm
Diameter of pick-up pads	120 mm		120 mm		120 mm	120 mm
Column height	-		-		3.200 mm	2.965 mm
Total height	3.950 mm 4.300 mm	4.600 mm 4.950 mm	3.902 mm	4.267 mm	3.200 mm 4.200 mm	4.700 mm 5.500 mm
Switch off height	3.756 mm 4.106 mm	4.405 mm 4.756 mm	3.735 mm	4.100 mm	-	-
Recommended set up width	3.599 mm		Standard: 3.405 mm Wide: 3.558 mm	Standard: 3.405 mm Wide: 3.558 mm	2.246 mm	2.820 mm
Drive-through width	2.380 mm		Standard: 2.228 mm Wide: 2.380 mm	Standard: 2.228 mm Wide: 2.380 mm	2.246 mm	2.820 mm
Long arms extraction	950 - 1.650 mm		956 - 1.527 mm		950 - 1580 mm	850 - 1.900 mm
Short arms extraction	570 - 1.050 mm		505 - 1.065 mm		460 - 880 mm	850 - 1.900 mm
Power supply	400-415 VAC 3ph 50 Hz		400-415 VAC 3ph 50 Hz		400-415 VAC 3ph 50 Hz	400-415 VAC 3ph 50 Hz
Drive motor	4 kW		3 kW		2 x 1,8 kW	2 x 3 kW
Min. necessary ceiling height	4.000 mm	4.650 mm	3.955 mm	4.320 mm	3.250 mm	4.250 mm

## ACCESSORIES



Energy unit  
(available for all lifts)



Pick up pad extension 75mm  
(available for all lifts)



Pick up pad extension 150mm  
(available for all lifts)



Pick up pads for vans and light trucks  
(available for HL 4500 and MSE 5500)

**EMEA-JA**  
Snap-on Equipment s.r.l. - Via Prov. Carpi, 33 - 42015 Correggio (RE)  
Phone: +39 0522 733-411 - Fax: +39 0522 733-479 - www.hofmann-equipment.com

**Austria**  
Snap-on Equipment Austria GmbH - Hauptstrasse 24/Top 14 - A-2880 St. Corona/Wechsel (RE)  
Phone: +43 1 865 97 84 - Fax: +43 1 865 97 84 29 - www.hofmann-equipment.com

**France**  
Snap-on Equipment France - ZA du Vert Galant - 15, rue de la Guivernone BP 97175  
Saint-Ouen-l'Aumône - 95056 Cergy-Pontoise CEDEX  
Phone: +33 134 48 58-78 - Fax: +33 134 48 58-70 - www.hofmann-equipment.com

**Germany**  
Snap-on Equipment GmbH - Konrad-Zuse-Straße 1 - 84579 Unterneukirchen  
Phone: +49 8634 622-0 - Fax: +49 8634 5501 - www.hofmann-equipment.com

**Italy**  
Snap-on Equipment s.r.l. - Via Prov. Carpi, 33 - 42015 Correggio (RE)  
Phone: +39 0522 733-411 - Fax: +39 0522 733-410 - www.hofmann-equipment.com

**United Kingdom**  
Snap-on Equipment Ltd. - Unit 17 Denney Road, King's Lynn - Norfolk PE30 4HG  
Phone: +44 118 929-6811 - Fax: +44 118 966-4369 - www.hofmann-equipment.com